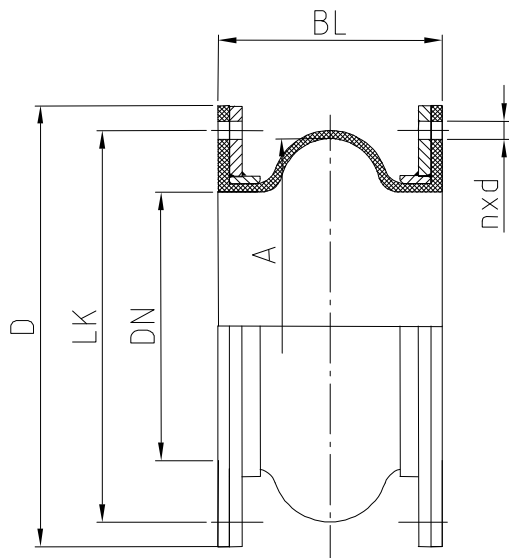


# Rubber Expansion Joint highFLEX HM



## Design:

High corrugated rubber bellow body with reinforcing inserts and integral pressure-strengthened solid rubber flanges, self-sealing, requiring no additional gaskets. Steel backing flanges with supporting collar, to ensure the smooth rolling up of the bellow.

## Application:

Cooling water piping in power stations and industrial plant, desalination, plants, drinking water supply, shipbuilding and in pumps, turbines and tanks, for the absorption of movements, oscillations, noise and vibrations, as well as being installed as an axial and lateral compensator for building settlement.

Max. DN 5000

## Flange:

Standard design acc. to DIN PN 10, retaining flange in S 235 JRG2 (RSt. 37-2) hot-dip galvanized. Other materials and drillings are possible on request.

## Overall lengths:

The indicated overall lengths are standard lengths and can be altered (multi-corrugated design for higher expansion compensation possible).

## Details for highFLEX HM

| Bellow color code | Tube    | Reinforcing material | Cover | Pressure (max.) bar | Temperature (max.) °C |
|-------------------|---------|----------------------|-------|---------------------|-----------------------|
| red               | EPDM    | Nyloncord            | EPDM  | 18                  | 90                    |
| red/red           | EPDM    | Aramide              | EPDM  | 27                  | 130                   |
| blue              | EPDM Tw | Nyloncord            | EPDM  | 18                  | 90                    |
| white             | EPDM Tw | Nyloncord            | EPDM  | 18                  | 90                    |
| grey              | CR      | Nyloncord            | CR    | 18                  | 70                    |
| green             | CSM     | Nyloncord            | CSM   | 18                  | 90                    |
| red               | CSM     | Aramide              | CSM   | 27                  | 130                   |
| green/red         | NBR     | Nyloncord            | NBR   | 18                  | 90                    |
| yellow            | NBR     | Aramide              | NBR   | 27                  | 100                   |
| yellow/red        | H NBR   | Aramide              | H NBR | 27                  | 130                   |
| yellow/yellow     | FPM     | Nyloncord            | EPDM  | 18                  | 90                    |
| lilac             | FPM     | Aramide              | EPDM  | 27                  | 150                   |
|                   | SI      | Glasgewebe           | SI    | 3                   | 200                   |
|                   | SI      | Aramide              | SI    | 27                  | 150                   |

The pressure indication states a max. value which depends on the lengths and nominal widths; burst pressure >50 bar.

GASKETS

TECHNICAL TEXTILES

EXPANSION JOINTS

INSULATION

NEW MATERIALS

Frenzelit GmbH  
P.O. Box 11 40  
95456 Bad Berneck  
Germany  
Phone +49 9273 72-0  
Fax +49 9273 72-102  
info@frenzelit.com  
www.frenzelit.com

 **Frenzelit**  
creating hightech solutions

# Rubber Expansion Joint highFLEX HM

Pressure resistance highFLEX HM short length (can be extended and shortened on request)

| DN<br>mm (in) | Overall length<br>BL<br>mm | Effective<br>area length<br>cm <sup>2</sup> | Convolution<br>Inner diameter<br>A<br>mm | Thickness of<br>steel flange<br>s<br>mm | Reinforcing material<br>Rubber flange pressure (max.) bar |          |          |                    | Movements<br>mm |             |
|---------------|----------------------------|---|--|---|---|----------|----------|--------------------|-----------------|-------------|
|               |                            |   |  |   | Nylon   |          |          | Aramid<br>at 15 mm | axial +/-       | lateral +/- |
|               |                            |   |  |   | at 10 mm  | at 13 mm | at 15 mm |                    |                 |             |
| 200 (8)       | 150                        | 504   | 260                                      | 12                                      | 8,5   | 17,0     | 25,5     | 38,3               | 10/25           | 20          |
| 250 (10)      | 150                        | 717   | 310                                      | 12                                      | 8,2   | 16,4     | 24,6     | 36,9               | 25/10           | 20          |
| 300 (12)      | 150                        | 977   | 362                                      | 12                                      | 8,0   | 16,0     | 24,0     | 36,0               | 25/10           | 20          |
| 350 (14)      | 150                        | 1223  | 405                                      | 12                                      | 7,9   | 15,7     | 23,6     | 35,4               | 25/10           | 20          |
| 400 (16)      | 200                        | 1733  | 482                                      | 15                                      | 6,2   | 12,4     | 18,5     | 27,8               | 20/35           | 30          |
| 450 (18)      | 200                        | 2119  | 533                                      | 15                                      | 6,1   | 12,2     | 18,3     | 27,5               | 20/35           | 30          |
| 500 (20)      | 200                        | 2535  | 583                                      | 15                                      | 6   | 12,1     | 18,1     | 27,2               | 35/20           | 30          |
| 550 (22)      | 200                        | 2988  | 633                                      | 15                                      | 6   | 11,9     | 17,9     | 26,9               | 35/20           | 30          |
| 600 (24)      | 200                        | 3479  | 683                                      | 15                                      | 5,9   | 11,8     | 17,8     | 26,7               | 35/20           | 30          |
| 650 (26)      | 200                        | 3974  | 730                                      | 15                                      | 5,9   | 11,8     | 17,6     | 26,4               | 35/20           | 30          |
| 700 (28)      | 200                        | 4584  | 784                                      | 15                                      | 5,8   | 11,7     | 17,5     | 26,3               | 35/20           | 30          |
| 750 (30)      | 200                        | 5137  | 830                                      | 15                                      | 5,2   | 11,6     | 17,4     | 26,1               | 35/20           | 30          |
| 800 (32)      | 250                        | 5867  | 887                                      | 15                                      | 5,2   | 10,5     | 15,7     | 23,6               | 35/20           | 30          |
| 850 (34)      | 250                        | 6478  | 932                                      | 15                                      | 5,2   | 10,4     | 15,6     | 23,4               | 35/20           | 30          |
| 900 (36)      | 250                        | 7265  | 987                                      | 15                                      | 5,2   | 10,4     | 15,6     | 23,4               | 35/20           | 30          |
| 950 (38)      | 250                        | 7942  | 1032                                     | 15                                      | 5,2   | 10,3     | 15,5     | 23,3               | 35/20           | 30          |
| 1000 (40)     | 250                        | 8812  | 1087                                     | 15                                      | 5,1   | 10,3     | 15,4     | 23,1               | 35/20           | 30          |
| 1050 (42)     | 250                        | 9556  | 1132                                     | 20                                      | 5,1   | 10,3     | 15,4     | 23,1               | 35/20           | 30          |
| 1100 (44)     | 300                        | 11045                                       | 1217                                     | 20                                      | 4,3   | 8,6      | 12,9     | 19,4               | 30/40           | 40          |
| 1150 (46)     | 300                        | 11877                                       | 1262                                     | 20                                      | 4,3   | 8,6      | 12,9     | 19,4               | 40/30           | 40          |
| 1200 (48)     | 300                        | 12935                                       | 1317                                     | 20                                      | 4,3   | 8,6      | 12,9     | 19,4               | 40/30           | 40          |
| 1250 (50)     | 300                        | 13834                                       | 1362                                     | 20                                      | 4,3   | 8,6      | 12,8     | 19,2               | 40/30           | 40          |
| 1300 (52)     | 300                        | 14974                                       | 1417                                     | 20                                      | 4,3   | 8,5      | 12,8     | 19,2               | 40/30           | 40          |
| 1350 (54)     | 300                        | 15940                                       | 1462                                     | 20                                      | 4,3   | 8,5      | 12,8     | 19,2               | 40/30           | 40          |
| 1400 (56)     | 300                        | 17162                                       | 1517                                     | 20                                      | 4,2   | 8,5      | 12,7     | 19,1               | 40/30           | 40          |
| 1450 (58)     | 300                        | 18195                                       | 1562                                     | 20                                      | 4,2   | 8,5      | 12,7     | 19,1               | 40/30           | 40          |
| 1500 (60)     | 300                        | 19499                                       | 1617                                     | 20                                      | 4,2   | 8,5      | 12,7     | 19,1               | 40/30           | 40          |
| 1600 (64)     | 300                        | 21985                                       | 1717                                     | 20                                      | 4,2   | 8,4      | 12,6     | 18,9               | 40/30           | 40          |
| 1650 (66)     | 300                        | 23153                                       | 1762                                     | 20                                      | 4,2   | 8,4      | 12,6     | 18,9               | 40/30           | 40          |
| 1700 (68)     | 300                        | 24621                                       | 1817                                     | 20                                      | 4,2   | 8,4      | 12,6     | 18,9               | 40/30           | 40          |
| 1800 (72)     | 300                        | 27405                                       | 1917                                     | 20                                      | 4,2   | 8,4      | 12,6     | 18,9               | 40/30           | 40          |
| 1950 (78)     | 300                        | 31708                                       | 2062                                     | 20                                      | 4,2   | 8,3      | 12,5     | 18,8               | 40/30           | 40          |
| 2000 (80)     | 300                        | 33422                                       | 2117                                     | 20                                      | 4,2   | 8,3      | 12,5     | 18,8               | 40/30           | 40          |
| 2100 (84)     | 300                        | 36654                                       | 2217                                     | 20                                      | 4,2   | 8,3      | 12,5     | 18,8               | 40/30           | 40          |
| 2150 (86)     | 300                        | 38157                                       | 2262                                     | 20                                      | 4,2   | 8,3      | 12,5     | 18,8               | 40/30           | 40          |
| 2200 (88)     | 300                        | 40036                                       | 2317                                     | 20                                      | 4,2   | 8,3      | 12,5     | 18,8               | 40/30           | 40          |
| 2250 (90)     | 300                        | 41606                                       | 2362                                     | 20                                      | 4,1   | 8,3      | 12,4     | 18,6               | 40/30           | 40          |
| 2300 (92)     | 300                        | 43566                                       | 2417                                     | 20                                      | 4,1   | 8,3      | 12,4     | 18,6               | 40/30           | 40          |
| 2400 (96)     | 300                        | 47245                                       | 2517                                     | 20                                      | 4,1   | 8,3      | 12,4     | 18,6               | 40/30           | 40          |
| 2500 (100)    | 300                        | 51074                                       | 2617                                     | 25                                      | 4,1   | 8,3      | 12,4     | 18,6               | 40/30           | 40          |
| 2550 (102)    | 300                        | 52846                                       | 2662                                     | 25                                      | 4,1   | 8,3      | 12,4     | 18,6               | 40/30           | 40          |
| 2600 (104)    | 300                        | 55052                                       | 2717                                     | 25                                      | 4,1   | 8,2      | 12,4     | 18,6               | 40/30           | 40          |
| 2700 (108)    | 300                        | 59179                                       | 2817                                     | 25                                      | 4,1   | 8,2      | 12,4     | 18,6               | 40/30           | 40          |
| 2800 (112)    | 300                        | 63455                                       | 2917                                     | 25                                      | 4,1   | 8,2      | 12,3     | 18,5               | 40/30           | 40          |
| 2850 (114)    | 300                        | 65428                                       | 2962                                     | 25                                      | 4,1   | 8,2      | 12,3     | 18,5               | 40/30           | 40          |
| 2900 (116)    | 300                        | 67880                                       | 3017                                     | 25                                      | 4,1   | 8,2      | 12,3     | 18,5               | 40/30           | 40          |
| 3000 (120)    | 300                        | 72455                                       | 3117                                     | 25                                      | 4,1   | 8,2      | 12,3     | 18,5               | 40/30           | 40          |

max. DN 5000

GASKETS

TECHNICAL TEXTILES

EXPANSION JOINTS

INSULATION

NEW MATERIALS

Frenzelit GmbH  
P.O. Box 11 40  
95456 Bad Berneck  
Germany  
Phone +49 9273 72-0  
Fax +49 9273 72-102  
info@frenzelit.com  
www.frenzelit.com

 **Frenzelit**  
creating hightech solutions

# Rubber Expansion Joint highFLEX HM

Pressure resistance highFLEX HM standard lengths (can be extended on request - also two-corrugated)

| DN<br>mm (in) | Overall length<br>BL<br>mm | Effective<br>area length<br>cm <sup>2</sup> | Convolution<br>Inner diamete<br>A<br>mm | Thickness of<br>steel flange<br>s<br>mm | Reinforcing material<br>Rubber flange pressure (max.) bar |                   |          |                     | Expansion<br>mm |             |
|---------------|----------------------------|---|---|---|---|-------------------|----------|---------------------|-----------------|-------------|
|               |                            |   |   |   | at 10 mm  | Nylon<br>at 13 mm | at 15 mm | Aramide<br>at 15 mm | axial +/-       | lateral +/- |
| 200 (8)       | 200                        | 627   | 290                                     | 12                                      | 6,8   | 13,6              | 20,4     | 30,6                | 20/35           | 30          |
| 250 (10)      | 200                        | 717   | 310                                     | 12                                      | 6,6   | 13,2              | 19,7     | 29,6                | 35/20           | 30          |
| 300 (12)      | 200                        | 977   | 362                                     | 12                                      | 6,4   | 12,8              | 19,2     | 28,8                | 35/20           | 30          |
| 350 (14)      | 200                        | 1223  | 405                                     | 12                                      | 6,3   | 12,6              | 18,9     | 28,4                | 35/20           | 30          |
| 400 (16)      | 250                        | 1733  | 482                                     | 15                                      | 5,6   | 11,3              | 16,9     | 25,4                | 35/20           | 30          |
| 450 (18)      | 250                        | 2119  | 533                                     | 15                                      | 5,5   | 11,1              | 16,6     | 24,9                | 35/20           | 30          |
| 500 (20)      | 250                        | 2535  | 583                                     | 15                                      | 5,5   | 11                | 16,4     | 24,6                | 35/20           | 30          |
| 550 (22)      | 250                        | 2988  | 633                                     | 15                                      | 5,4   | 10,8              | 16,3     | 24,5                | 35/20           | 30          |
| 600 (24)      | 250                        | 3479  | 683                                     | 15                                      | 5,4   | 10,7              | 16,1     | 24,2                | 35/20           | 30          |
| 650 (26)      | 250                        | 3974  | 730                                     | 15                                      | 5,3   | 10,7              | 16       | 24                  | 35/20           | 30          |
| 700 (28)      | 250                        | 4584  | 784                                     | 15                                      | 5,3   | 10,6              | 15,9     | 23,9                | 30/40           | 40          |
| 750 (30)      | 250                        | 5137  | 830                                     | 15                                      | 5,3   | 10,5              | 15,8     | 23,7                | 40/30           | 40          |
| 800 (32)      | 300                        | 5867  | 887                                     | 15                                      | 4,4   | 8,9               | 13,3     | 20                  | 40/30           | 40          |
| 850 (34)      | 300                        | 6478  | 932                                     | 15                                      | 4,4   | 8,8               | 13,2     | 19,8                | 40/30           | 40          |
| 900 (36)      | 300                        | 7265  | 987                                     | 15                                      | 4,4   | 8,8               | 13,2     | 19,8                | 40/30           | 40          |
| 950 (38)      | 300                        | 7942  | 1032                                    | 15                                      | 4,4   | 8,7               | 13,1     | 19,7                | 40/30           | 40          |
| 1000 (40)     | 300                        | 8812  | 1087                                    | 15                                      | 4,3   | 8,7               | 13       | 19,5                | 40/30           | 40          |
| 1050 (42)     | 300                        | 9556  | 1132                                    | 20                                      | 4,3   | 8,7               | 13       | 19,5                | 40/30           | 40          |
| 1100 (44)     | 350                        | 11045                                       | 1217                                    | 20                                      | 3,4   | 6,8               | 10,1     | 15,2                | 40/30           | 40          |
| 1150 (46)     | 350                        | 11877                                       | 1262                                    | 20                                      | 3,4   | 6,7               | 10,1     | 15,2                | 40/30           | 40          |
| 1200 (48)     | 350                        | 12935                                       | 1317                                    | 20                                      | 3,4   | 6,7               | 10,1     | 15,2                | 40/30           | 40          |
| 1250 (50)     | 350                        | 13834                                       | 1362                                    | 20                                      | 3,3   | 6,7               | 10       | 15                  | 40/30           | 40          |
| 1300 (52)     | 350                        | 14974                                       | 1417                                    | 20                                      | 3,3   | 6,7               | 10       | 15                  | 40/30           | 40          |
| 1350 (54)     | 350                        | 15940                                       | 1462                                    | 20                                      | 3,3   | 6,6               | 10       | 15                  | 40/30           | 40          |
| 1400 (56)     | 350                        | 17162                                       | 1517                                    | 20                                      | 3,3   | 6,6               | 9,9      | 14,9                | 40/30           | 40          |
| 1450 (58)     | 350                        | 18195                                       | 1562                                    | 20                                      | 3,3   | 6,6               | 9,9      | 14,9                | 40/30           | 40          |
| 1500 (60)     | 350                        | 19499                                       | 1617                                    | 20                                      | 3,3   | 6,6               | 9,9      | 14,9                | 40/30           | 40          |
| 1600 (64)     | 350                        | 21985                                       | 1717                                    | 20                                      | 3,3   | 6,6               | 9,8      | 14,7                | 40/30           | 40          |
| 1650 (66)     | 350                        | 23153                                       | 1762                                    | 20                                      | 3,3   | 6,6               | 9,8      | 14,7                | 40/30           | 40          |
| 1700 (68)     | 350                        | 24621                                       | 1817                                    | 20                                      | 3,3   | 6,5               | 9,8      | 14,7                | 40/30           | 40          |
| 1800 (72)     | 350                        | 27405                                       | 1917                                    | 20                                      | 3,3   | 6,5               | 9,8      | 14,7                | 40/30           | 40          |
| 1950 (78)     | 350                        | 31708                                       | 2062                                    | 20                                      | 3,2   | 6,5               | 9,7      | 14,6                | 40/30           | 40          |
| 2000 (80)     | 350                        | 33422                                       | 2117                                    | 20                                      | 3,2   | 6,5               | 9,7      | 14,6                | 40/30           | 40          |
| 2100 (84)     | 350                        | 36654                                       | 2217                                    | 20                                      | 3,2   | 6,5               | 9,7      | 14,6                | 40/30           | 40          |
| 2150 (86)     | 350                        | 38157                                       | 2262                                    | 20                                      | 3,2   | 6,4               | 9,7      | 14,6                | 40/30           | 40          |
| 2200 (88)     | 350                        | 40036                                       | 2317                                    | 20                                      | 3,2   | 6,4               | 9,7      | 14,6                | 40/30           | 40          |
| 2250 (90)     | 350                        | 41606                                       | 2362                                    | 20                                      | 3,2   | 6,4               | 9,7      | 14,6                | 40/30           | 40          |
| 2300 (92)     | 350                        | 43566                                       | 2417                                    | 20                                      | 3,2   | 6,4               | 9,6      | 14,4                | 40/30           | 40          |
| 2400 (96)     | 350                        | 47245                                       | 2517                                    | 20                                      | 3,2   | 6,4               | 9,6      | 14,4                | 40/30           | 40          |
| 2500 (100)    | 350                        | 51074                                       | 2617                                    | 25                                      | 3,2   | 6,4               | 9,6      | 14,4                | 40/30           | 40          |
| 2550 (102)    | 350                        | 52846                                       | 2662                                    | 25                                      | 3,2   | 6,4               | 9,6      | 14,4                | 40/30           | 40          |
| 2600 (104)    | 350                        | 55052                                       | 2717                                    | 25                                      | 3,2   | 6,4               | 9,6      | 14,4                | 40/30           | 40          |
| 2700 (108)    | 350                        | 59179                                       | 2817                                    | 25                                      | 3,2   | 6,4               | 9,6      | 14,4                | 40/30           | 40          |
| 2800 (112)    | 350                        | 63455                                       | 2917                                    | 25                                      | 3,2   | 6,4               | 9,6      | 14,4                | 40/30           | 40          |
| 2850 (114)    | 350                        | 65428                                       | 2962                                    | 25                                      | 3,2   | 6,4               | 9,5      | 14,3                | 40/30           | 40          |
| 2900 (116)    | 350                        | 67880                                       | 3017                                    | 25                                      | 3,2   | 6,4               | 9,5      | 14,3                | 40/30           | 40          |
| 3000 (120)    | 350                        | 72455                                       | 3117                                    | 25                                      | 3,2   | 6,4               | 9,5      | 14,3                | 40/30           | 40          |

max. DN 5000

GASKETS

TECHNICAL TEXTILES

EXPANSION JOINTS

INSULATION

NEW MATERIALS

Frenzelit GmbH  
P.O. Box 11 40  
95456 Bad Berneck  
Germany  
Phone +49 9273 72-0  
Fax +49 9273 72-102  
info@frenzelit.com  
www.frenzelit.com



creating hightech solutions

# Rubber Expansion Joint highFLEX HM

## Stiffness rate axial for highFLEX HM (average value by full way)

| DN   |      | Overall length<br>mm | 0 bar | 1 bar | 2,5 bar | 4 bar | 6 bar | 10 bar |
|------|------|----------------------|-------|-------|---------|-------|-------|--------|
| mm   | (in) |                      | N/mm  | N/mm  | N/mm    | N/mm  | N/mm  | N/mm   |
| 200  | (8)  | 200                  | 45    | 79    | 90      | 144   | 216   | 360    |
| 250  | (10) | 200                  | 51    | 88    | 107     | 166   | 246   | 405    |
| 300  | (12) | 200                  | 56    | 98    | 118     | 180   | 269   | 454    |
| 350  | (14) | 200                  | 73    | 129   | 153     | 239   | 350   | 599    |
| 400  | (16) | 250                  | 40    | 70    | 83      | 131   | 190   | 322    |
| 450  | (18) | 250                  | 48    | 85    | 102     | 152   | 235   | 389    |
| 500  | (20) | 250                  | 55    | 99    | 118     | 171   | 265   | 457    |
| 600  | (24) | 250                  | 68    | 119   | 136     | 218   | 326   | 544    |
| 700  | (28) | 250                  | 70    | 121   | 147     | 228   | 338   | 557    |
| 750  | (30) | 250                  | 72    | 126   | 151     | 232   | 346   | 583    |
| 800  | (32) | 250                  | 73    | 129   | 153     | 239   | 350   | 599    |
| 900  | (36) | 300                  | 95    | 169   | 202     | 300   | 466   | 770    |
| 1000 | (40) | 300                  | 136   | 245   | 291     | 422   | 656   | 1129   |
| 1100 | (44) | 350                  | 210   | 399   | 462     | 756   | 1130  | 1865   |
| 1200 | (48) | 350                  | 240   | 458   | 538     | 876   | 1277  | 2136   |
| 1400 | (56) | 350                  | 245   | 463   | 532     | 902   | 1316  | 2193   |
| 1500 | (60) | 350                  | 255   | 492   | 587     | 944   | 1403  | 2295   |
| 1600 | (64) | 350                  | 310   | 597   | 685     | 1138  | 1668  | 2821   |
| 1700 | (68) | 350                  | 390   | 662   | 818     | 1468  | 2142  | 3569   |
| 1800 | (72) | 350                  | 480   | 926   | 1051    | 1819  | 2616  | 4416   |
| 2000 | (80) | 350                  | 690   | 1339  | 1546    | 2512  | 3830  | 6314   |
| 2100 | (84) | 350                  | 835   | 1607  | 1879    | 2998  | 4676  | 7690   |
| 2200 | (88) | 350                  | 910   | 1747  | 2029    | 3367  | 4969  | 8099   |
| 2400 | (96) | 350                  | 1050  | 1995  | 2363    | 3812  | 5691  | 9450   |

## Stiffness rate lateral for highFLEX HM (average value by full way)

| DN   |      | Overall length<br>mm | 0 bar | 1 bar | 2,5 bar | 4 bar | 6 bar | 10 bar |
|------|------|----------------------|-------|-------|---------|-------|-------|--------|
| mm   | (in) |                      | N/mm  | N/mm  | N/mm    | N/mm  | N/mm  | N/mm   |
| 200  | (8)  | 200                  | 200   | 330   | 366     | 428   | 540   | 616    |
| 250  | (10) | 200                  | 220   | 370   | 407     | 475   | 605   | 686    |
| 300  | (12) | 200                  | 250   | 425   | 470     | 545   | 695   | 783    |
| 350  | (14) | 200                  | 280   | 482   | 529     | 610   | 781   | 882    |
| 400  | (16) | 250                  | 180   | 315   | 347     | 400   | 513   | 576    |
| 450  | (18) | 250                  | 190   | 338   | 371     | 420   | 536   | 604    |
| 500  | (20) | 250                  | 200   | 330   | 366     | 428   | 540   | 616    |
| 600  | (24) | 250                  | 235   | 388   | 430     | 503   | 635   | 724    |
| 700  | (28) | 250                  | 310   | 521   | 574     | 670   | 853   | 967    |
| 750  | (30) | 250                  | 310   | 527   | 583     | 676   | 862   | 970    |
| 800  | (32) | 250                  | 340   | 585   | 643     | 741   | 949   | 1071   |
| 900  | (36) | 300                  | 360   | 641   | 702     | 796   | 1015  | 1145   |
| 1000 | (40) | 300                  | 380   | 673   | 749     | 956   | 1083  | 1216   |
| 1100 | (44) | 350                  | 395   | 612   | 683     | 901   | 1067  | 1217   |
| 1200 | (48) | 350                  | 440   | 724   | 783     | 1025  | 1197  | 1390   |
| 1400 | (56) | 350                  | 480   | 763   | 878     | 1133  | 1330  | 1526   |
| 1500 | (60) | 350                  | 530   | 885   | 1002    | 1261  | 1479  | 1707   |
| 1600 | (64) | 350                  | 645   | 1109  | 1238    | 1548  | 1819  | 2090   |
| 1700 | (68) | 350                  | 710   | 1304  | 1378    | 1723  | 2118  | 2355   |
| 1800 | (72) | 350                  | 775   | 1418  | 1519    | 1899  | 2217  | 2519   |
| 2000 | (80) | 350                  | 890   | 1682  | 1816    | 2225  | 2563  | 2919   |
| 2100 | (84) | 350                  | 886   | 1692  | 1852    | 2304  | 2596  | 2835   |
| 2200 | (88) | 350                  | 1050  | 2016  | 2226    | 2940  | 3150  | 3465   |
| 2400 | (96) | 350                  | 1360  | 2638  | 3128    | 3944  | 4284  | 4529   |

**Attention:** Variations in stiffness rate are possible by material reinforcing or production process change with +/-25%.

GASKETS

TECHNICAL TEXTILES

EXPANSION JOINTS

INSULATION

NEW MATERIALS

Frenzelit GmbH  
P.O. Box 11 40  
95456 Bad Berneck  
Germany  
Phone +49 9273 72-0  
Fax +49 9273 72-102  
info@frenzelit.com  
www.frenzelit.com

 **Frenzelit**  
creating hightech solutions