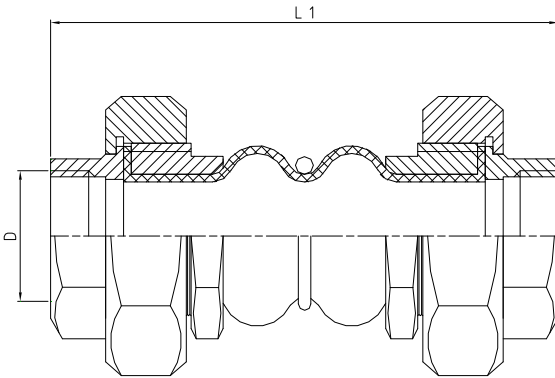
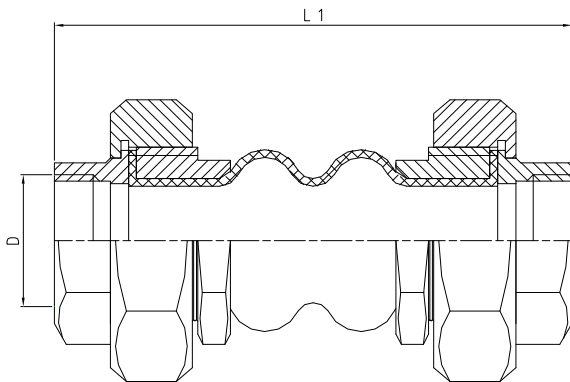


Rubber Expansion Joint highFLEX DCR-200/240



with solid-ring between the convolutions



without solid-ring between the convolutions

Design and material

Double convoluted rubber connectors in Nitrile rubber quality with nylon cord reinforcements. Other rubber qualities on request. Both ends provided with cast ductile iron unions with female thread BS or ANSI.

Pressure range

The maximum allowable pressure must be adjusted by one of the factors below at operating temperatures above 80°C.

85°C	90°C	95°C	100°C	>100°C
0,92	0,83	0,75	0,67	0,6

Burst pressure: 60 bar

Details for highFLEX DCR-200/240

Marking of Bellow	Inside	Reinforced	Outside	max. pressure			Vacuum	Shore A
				bar - °c				
yellow	NBR	Nylon	NBR	10 - -20	10 - 90	6 - 95	0,5 bar abs.	60

DN	Connection	D	Movements				Weight
			Axial	Axial	Lateral	Angular	
mm (in.)	L1 mm (in)	in.	+mm (in)	-mm (in)	mm (in)	(°)	kg
20 (3/4)	200 (8)	3/4	6 (0,24)	22 (0,9)	22 (0,9)	32	0,7
25 (1)	200 (8)	1	6 (0,24)	22 (0,9)	22 (0,9)	25	1,1
32 (1 1/4)	200 (8)	1 1/4	6 (0,24)	22 (0,9)	22 (0,9)	25	1,5
40 (1 1/2)	200 (8)	1 1/2	6 (0,24)	22 (0,9)	22 (0,9)	20	1,9
50 (2)	200 (8)	2	6 (0,24)	22 (0,9)	22 (0,9)	15	2,6
65 (2 1/2)	240 (9,6)	2 1/2	6 (0,24)	22 (0,9)	22 (0,9)	12	3,5

GASKETS

TECHNICAL TEXTILES

EXPANSION JOINTS

INSULATION

NEW MATERIALS

Frenzelit GmbH
P.O. Box 11 40
95456 Bad Berneck
Germany
Phone +49 9273 72-0
Fax +49 9273 72-102
info@frenzelit.com
www.frenzelit.com

 **Frenzelit**
creating hightech solutions